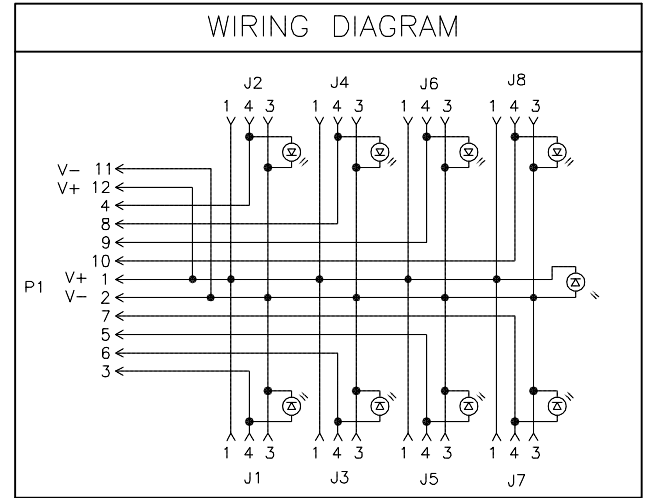
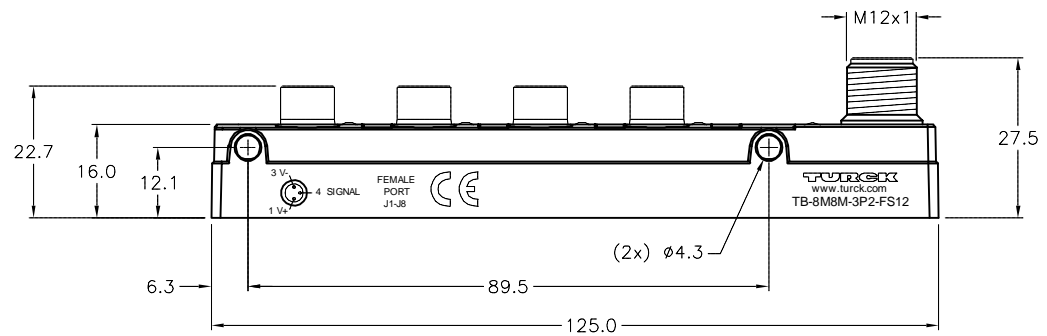
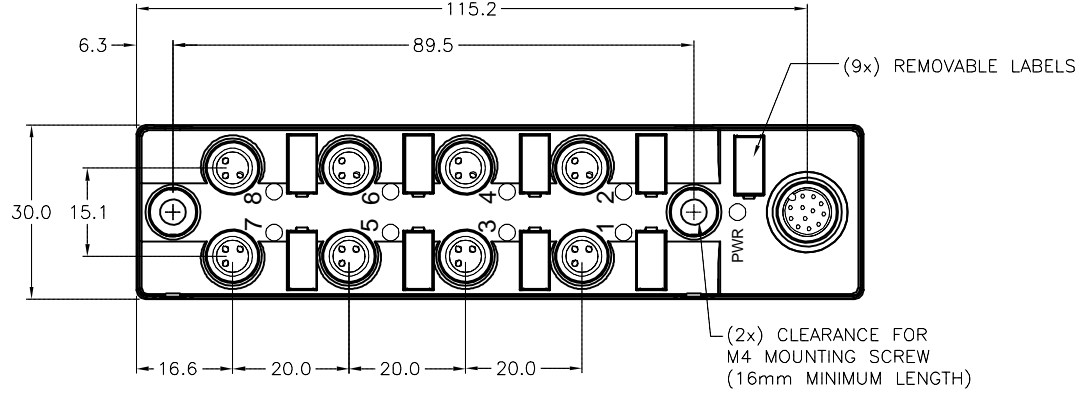


SPECIFICATIONS	
HOUSING MATERIAL/COLOR	NYLON/BLACK
RECEPTACLE MATERIAL/PLATING	BRASS/NICKEL
CONTACT CARRIER MATERIAL	NYLON
O-RING MATERIAL	FKM/FPM
CONTACT MATERIAL/PLATING	BRASS/GOLD
OPERATING VOLTAGE	30 VDC
OPERATING CURRENT	2.0A PER SIGNAL 2.0A TOTAL WHEN USING ONE POWER PAIR 4.0A TOTAL WHEN USING BOTH POWER PAIRS
PROTECTION CLASS to DIN 40050	IEC IP67, IP68, IP69K: ONLY WHEN ALL RECEPT. ARE COVERED WITH PLUGS OR CONNECTED
OPERATING TEMPERATURE	-40°C to +85°C (-40°F to +185°F)
MATING CORDSET	RKC 12T-*/S3477 FOR DUAL POWER PAIRS RKC 10T-*/S3477 FOR SINGLE POWER PAIR



SOURCE DRAWING - FOR REFERENCE ONLY

RELATED DOCUMENTS 1. 2. 3. 4.	3RD ANGLE PROJECTION 	THIS DRAWING IS CONFIDENTIAL AND THE PROPERTY OF TURCK INC. USE OF THIS DOCUMENT WITHOUT WRITTEN PERMISSION IS PROHIBITED.		3000 CAMPUS DRIVE MINNEAPOLIS, MN 55441 1-800-544-7769 (763) 553-7300 (763) 553-0708 fax www.turck.us	
		DRFT RDS	DATE 06/01/17	DESCRIPTION TB-8M8M-3P2-FS12	
MATERIAL SEE SPECIFICATIONS	ALL DIMENSIONS DISPLAYED ON THIS DRAWING ARE FOR REFERENCE ONLY	APVD L.F.	SCALE 1=1.3	IDENTIFICATION NO. U2-28312	
FINISH SEE SPECIFICATIONS		UNIT OF MEASUREMENT MILLIMETERS		REV C	
C ADD CE	NF 01/14/19	68151	DO NOT SCALE THIS DRAWING		FILE: U2-28312
REV DESCRIPTION	BY DATE	ECO NO.	SHEET 1 OF 1		